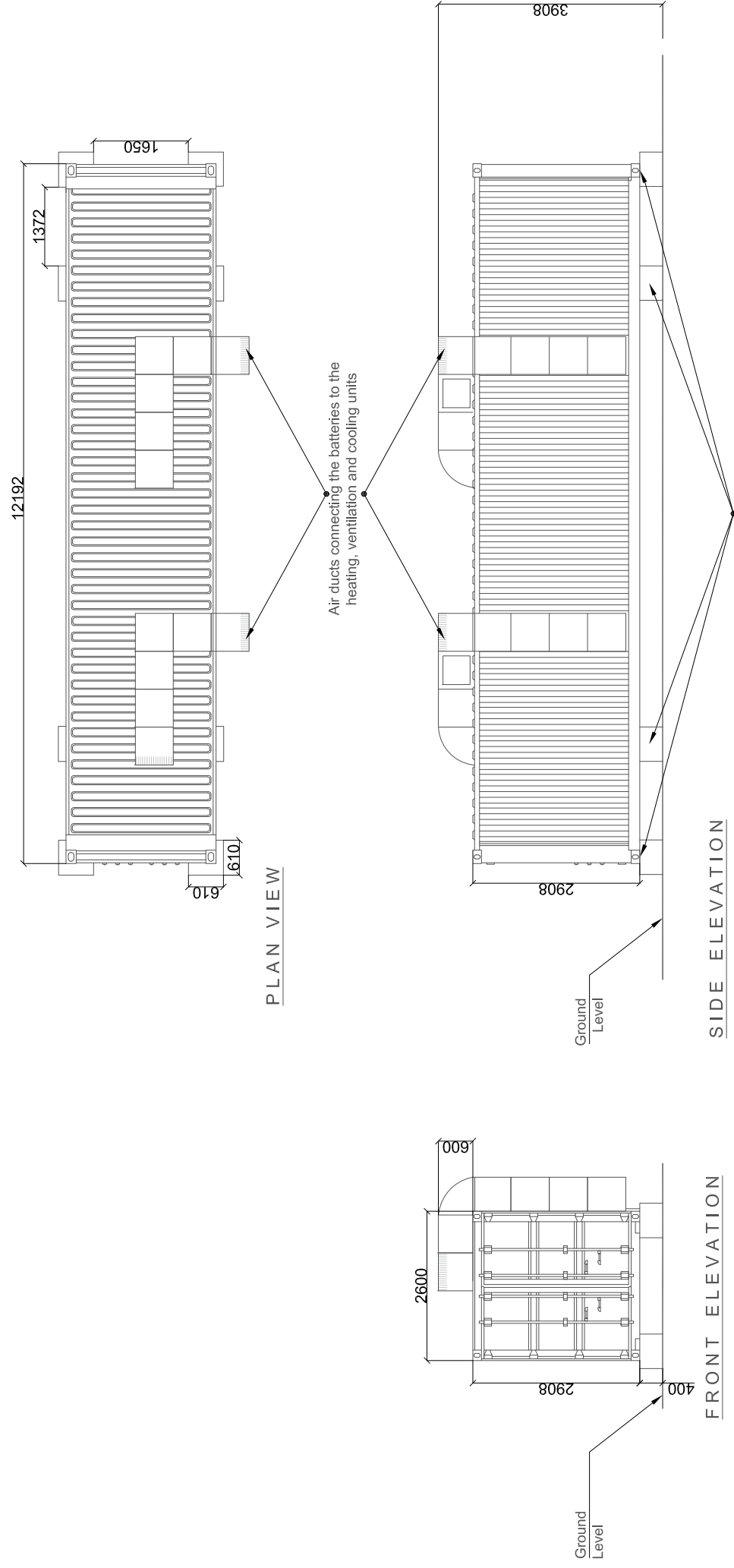


This drawing is the property of low carbon power and should not be reproduced in whole or in part without the prior written consent of low carbon power. All dimensions are to be confirmed on site prior to commencement of work.

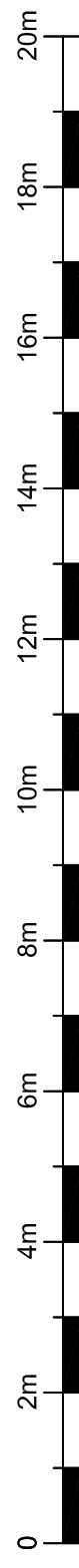
Revision	Date	Revision Notes	Drawn	Proposed
01	18.01.21	First Issue	HN	HN

NOTES:

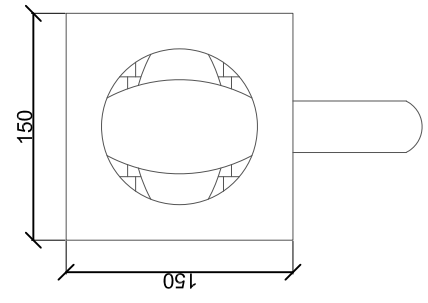


**1 BATTERY CONTAINER PLAN AND ELEVATIONS**

Scale: 1:100@A3

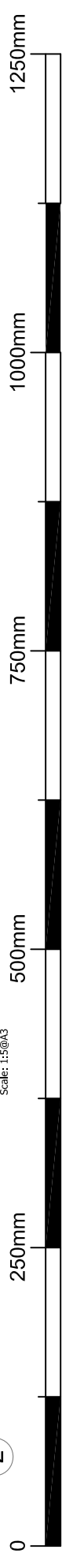


SCALE 1:100

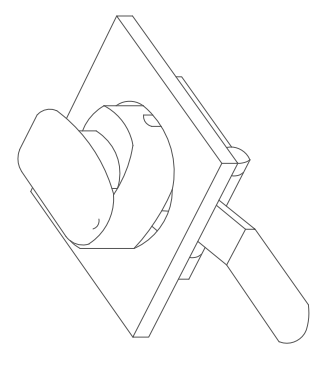


**2 WELD TWIST LOCK EXAMPLE**

Scale: 1:5@A3



SCALE 1:5



Status: **PLANNING**



13 Beekley Street, London W1J 8DU  
Tel: +44(0)207 4900700  
enquiries@lowcarbon.com www.lowcarbon.com

Drawing Title: **40ft Battery Container (HVAC on ground) Standard Detail**

Drawn: HN	Checked: NW	First Issued: 18.01.2021
Project Code: LCS-	Drawing Number: SD-20	
Sheet Size: A3	Scale: AN	Revision: 01